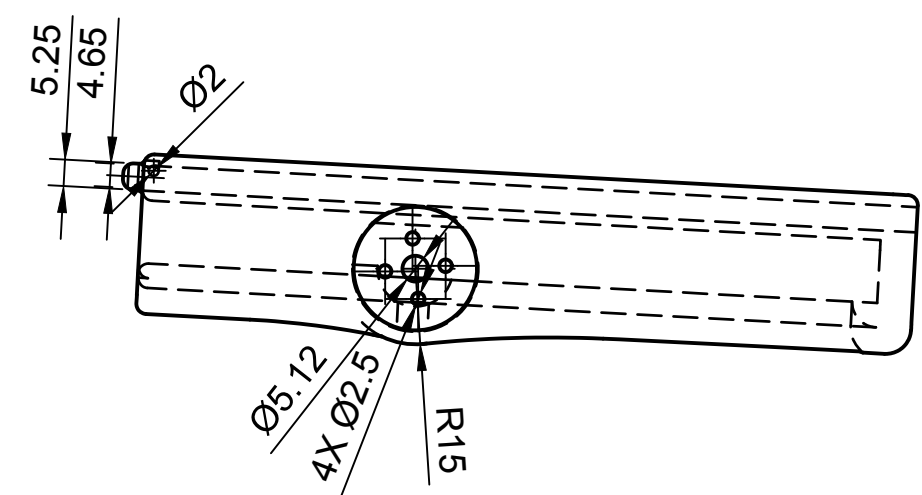
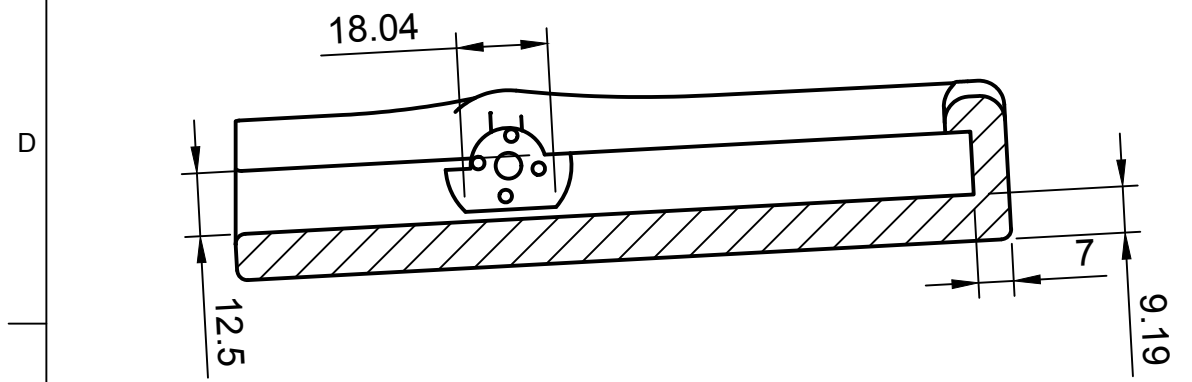


A-A (2:3)



Dept.	Technical reference	Created by <b>Jonah Burian</b>	7/21/17	Approved by <b>BlueStamp</b>	7/21/17
		Document type	Document status		
		Title <b>iPhone Case for Servo Attachment</b>	DWG No.		
		Rev.	Date of issue	Sheet <b>1/1</b>	