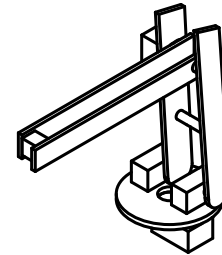
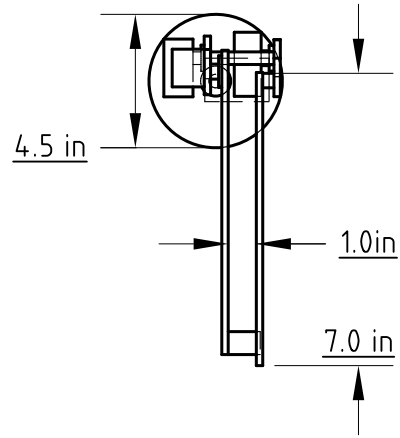


2

1

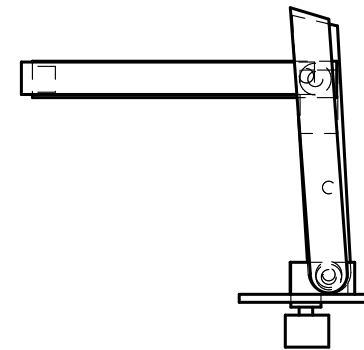
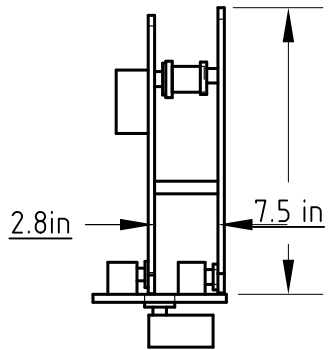
B

B



A

A



UNLESS OTHERWISE SPECIFIED, DIMENSIONS ARE IN INCHES .XX = ±.0- .XXX = ±.00- .XXXX = ±.000-		NAME	DATE	<h1>Sara's Robot Arm</h1>	
ANGULARZ = ± ° FRACTIONAL = ±		DRAWN Sara P	07/20/2016		
SURFACE FINISH ✓		CHECKED		This is my original design for my Mind controlled Robot Arm. It is made out of balsa wood and birchwood.	
DO NOT SCALE DRAWING		APPROVED			
BREAK ALL SHARP EDGES AND REMOVE BURRS					
THIRD ANGLE PROJECTION		MATERIAL	FINISH	SIZE A	DWG NO. -----
				SCALE	WEIGHT
				SHEET	1 of 1

2

1