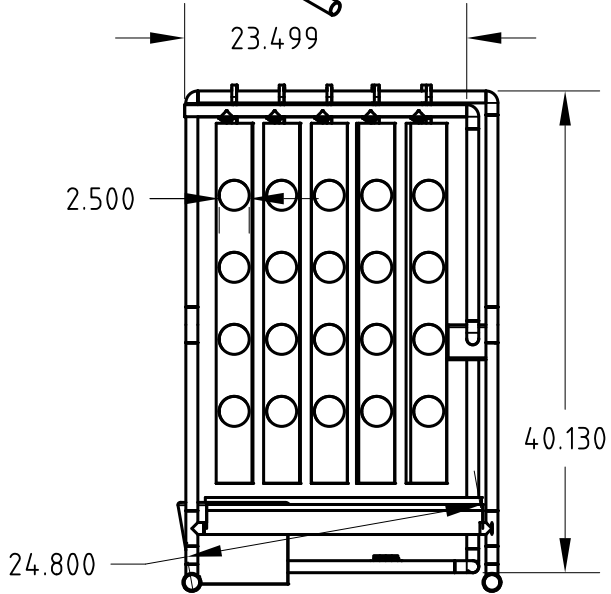
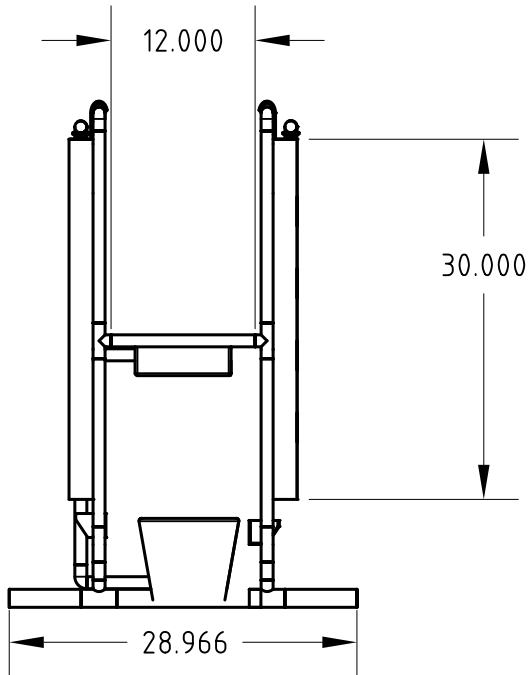
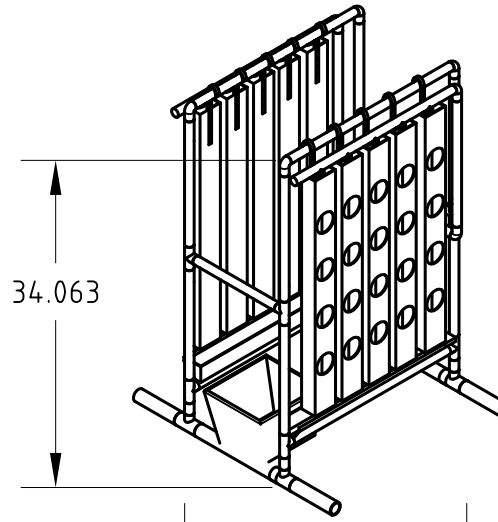
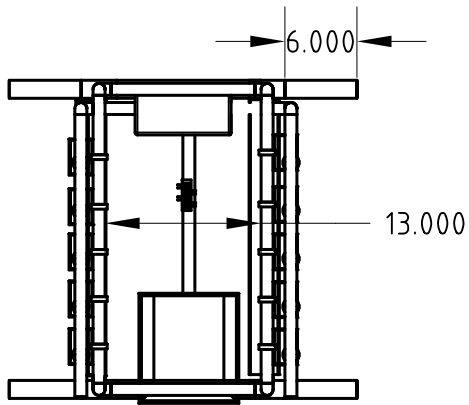


2

1



B

B

A

A

UNLESS OTHERWISE SPECIFIED,
DIMENSIONS ARE IN INCHES
 .XX = ±.0-
 .XXX = ±.00-
 .XXXX = ±.000-
 SURFACE FINISH ✓
 DO NOT SCALE DRAWING
 BREAK ALL SHARP EDGES AND REMOVE
 BURRS
 THIRD ANGLE PROJECTION

	NAME	DATE
DRAWN	Kaley	07/20/2016
CHECKED		
APPROVED		
MATERIAL	FINISH	

TITLE		
Hydroponic Farm		
Mechanical Drawing		
SIZE	DWG NO.	REV.
A	----	-
SCALE	WEIGHT	SHEET
		1 of 1

2

1